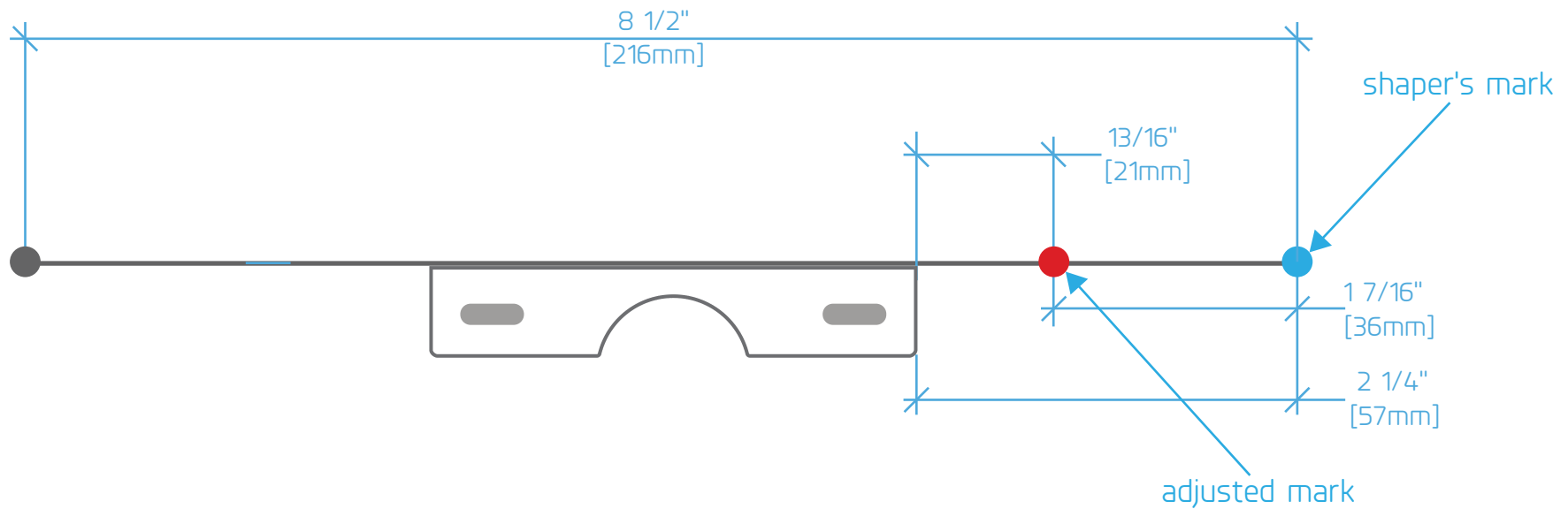




AUSTRALIA • HAWAII

copyright© 2018 Mair Designs LLC All Rights Reserved



**gearbox**  **australia**

177 Slippery Creek Road, Mortons Creek, NSW 2446  
+61 417 243 592 lance@gearbox.surf

info@gearbox.surf gearbox.surf

**gearbox**  **hawaii**

PO Box 424, Hanalei, Hawaii 96714-0424  
+1 808 639 5303 robin@gearbox.surf

info@hanalei-fins.surf hanalei-fins.surf

**DESIGN** Keel Fin Shapers Mark Adjustment

**DESCRIPTION** How to adjust the shapers mark to position the box

**DESIGNER** Robin Mair

**SCALE** Full Scale

**DATE** 2018-09-30

**REVISION** 3